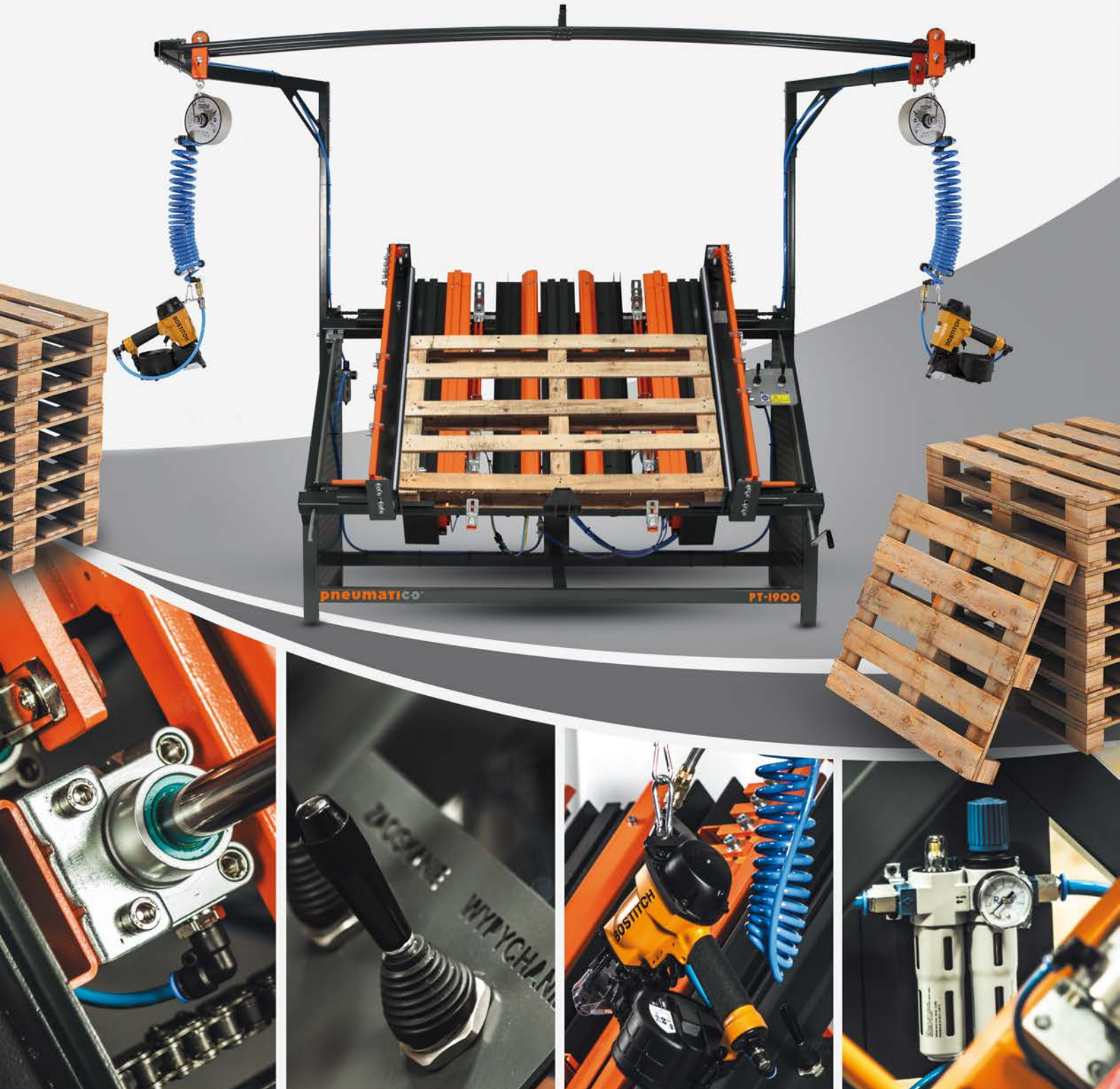


# pneumatico® nailing machines

## PNEUMATIC TABLE FOR NAILING PALLETS pneumatico® PT-1900 adjustable for various sizes



# PNEUMATIC TABLE FOR NAILING PALLETS **pneumatico**® PT-1900

(see also: PT-2800, PT-3300)

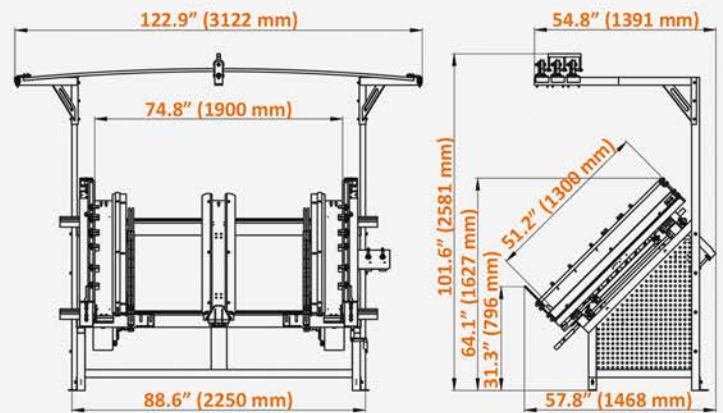


Pneumatico **PT-1900** is a universal machine for nailing wooden pallets of different sizes. Nail guns are suspended from an overhead roller track for easy and flexible access. Pneumatico **PT-1900's** design provides both convenience and operator comfort. It guarantees an increase in production efficiency, saves space (footprint of only 35.5 ft<sup>2</sup> / 3.3 m<sup>2</sup>), and reduces the costs related to preparing various templates for different pallet sizes.

**During the standard nailing process, two workers are able to produce about 300 pallets during one shift. In contrast, a single operator using the PT-1900 table has the ability to produce 210-230 pallets over the same period of time.**

## Pneumatico PT-1900:

- Streamlines and facilitates daily workflows, and increases productivity;
- Provides an adjustable template for stringer pallets (up to 5 stringers) and block pallets (up to 9 blocks), including EUR and GMA;
- Can be operated by a single person;
- Is quickly and effortlessly adjusted from one pallet size to another;
- Includes pneumatic functions for clamping blocks and lifting finished pallets;
- Is easy to operate and minimizes operator strain through the suspension of nail guns from the overhead roller track.



The size of Pneumatico PT-1900

## PALLET NAILING



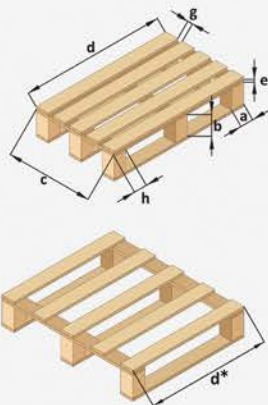
### Pallets on blocks

Sequence of operations:

- Place the blocks
- Clamp the blocks (pneumatic clamp)
- Nail the top deck boards to blocks
- Flip the pallet (pneumatic lift)
- Nail the bottom deck boards to blocks
- Lift the finished pallet (pneumatic lift)

### Dimensions of each element:

- 2.6" - 5.7" (65 - 145 mm)
- 2.8" - 4.3" (70 - 110 mm)
- Max. 51.2" (1300 mm)
- 35.4" - 74.8" (900 - 1900 mm)\*
- 0.5" - 1.1" (12 - 27 mm)
- Min. 0.6" (16 mm)
- 2.6" - 5.7" (65 - 145 mm)



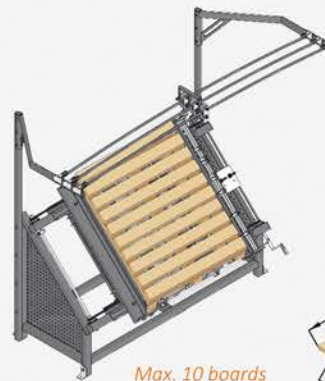
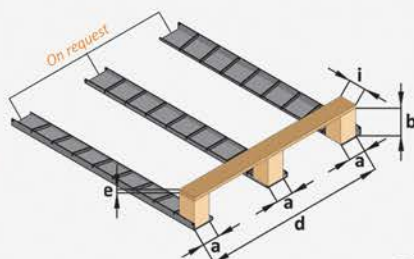
\* size **d** min. 23.6" (600 mm) for a double-row pallet

### NAILING PARTIAL PALLETS (bottom deck boards with 2 or 3 blocks)

Three additional pallet bottom leg profiles for nailing up to 9 pallet legs at a time.

### Dimensions of each element:

- 2.8" - 5.7" (70 - 145 mm)
- 2.8" - 4.7" (70 - 120 mm)
- 35.4" - 74.8" (900 - 1900 mm)
- 0.5" - 1.1" (12 - 27 mm)
- 2.8" - 5.7" (70 - 145 mm)



### Pallets on 2, 3, 4 or 5 stringers

Sequence of operations:

- Place the stringers
- Clamp the stringers (pneumatic clamp)
- Nail the top deck boards to stringers
- Lift the finished pallet (pneumatic lift)

Max. 10 boards

### Dimensions of each element:

- 1.1" - 5.7" (28 - 145 mm)
- 3.0" - 5.5" (75 - 140 mm)
- Max. 51.2" (1300 mm)
- 31.5" - 74.8" (800 - 1900 mm)
- 1.0" - 4.9" (25 - 125 mm)
- Min. 0.6" (16 mm)



Scan the QR code below and watch the video!

